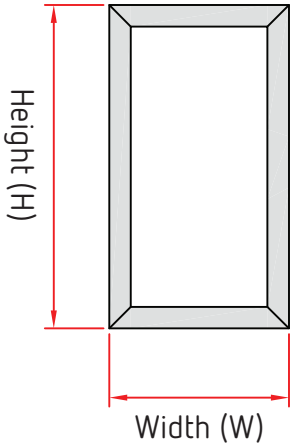


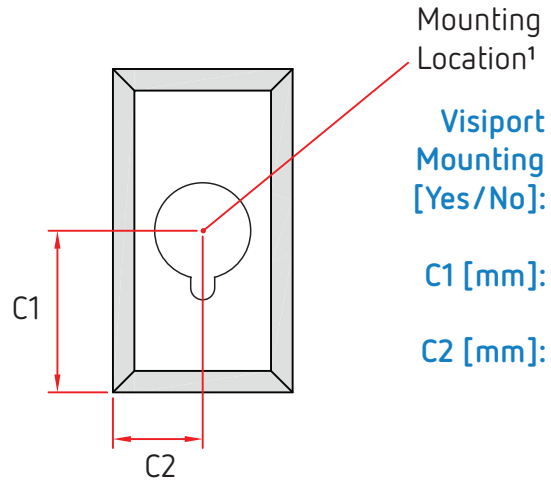


# Visiport Machine Tool Safety Window Quotation | Intake Form

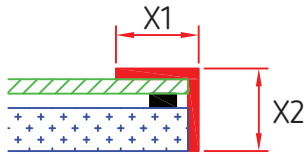
>> Impact Class Required <<  
 EN23125 | A1 - C3:  
 EN12417 | 100g m/s:



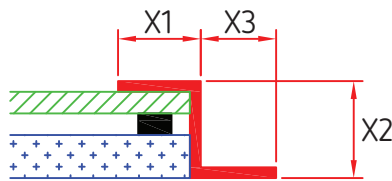
W [mm]:  
 H [mm]:  
 Frame [Yes/No]:  
 Frame Type [L/Z/W]:



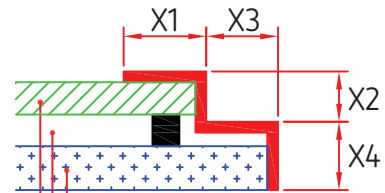
L-Type Frame



Z-Type Frame



W-Type Frame



X1 [mm]:  
 X2 [mm]:  
 X3 [mm]:  
 X4 [mm]:

Holes in Frame [Yes/No]:  
 Steel Frame<sup>2</sup> thickness [mm]:  
 Additional Notes:

PC thickness [mm]:  
 Air Gap thickness [mm]:  
 (or 2-mm clear PUR)  
 Tempered glass thickness [mm]:

VISIPOINT  
 17824 NE 65th Street  
 Redmond, WA 98052-4902  
 T +001 425 558 0200  
 F +001 425 558 0700  
 sales@visiport.com  
 www.visiport.com

## Instructions:

Fill out all applicable features matching your safety window.  
 Provide all measurements in millimeters for greatest accuracy.  
<sup>1</sup>Location according to the side the mounting is to be placed.  
<sup>2</sup>Frames made from V2A (EU) or 304 (USA) stainless steel.